

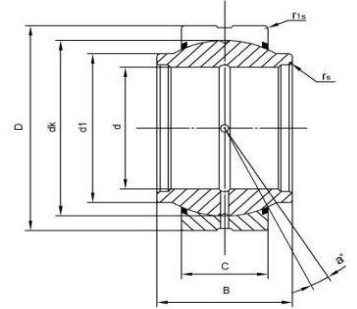
GE-HO(-2RS) SPHERICAL PLAIN BEARING WITH EXTENDED INNER RING AND STEEL/STEEL LINER REQUIRING LUBRICATION



Outer Ring and Ball: 100Cr6 Bearing Steel, Hardened and Phosphated, sliding surface treated with MoS2

Temperature Range: Open design -50°C to +150°C / 2RS design -50°C to +130°C

Supplied with Polyetherane Seals



Bearing No.	Dimensions									Basic Load Rating		Weight (kg)
	d	D	B	C	d1	dk	rs min	r1s min	α ≈	Dynamic C(KN)	Static Co(KN)	
GE20HO-2RS	20	35	24	12	24	29	0.3	0.3	6	30	146	0.073
GE25HO-2RS	25	42	29	16	29	35.5	0.3	0.6	4	48	240	0.13
GE30HO-2RS	30	47	30	18	34	40.7	0.3	0.6	4	62	310	0.17
GE35HO-2RS	35	55	35	20	40	47	0.6	1	4	79	399	0.25
GE40HO-2RS	40	62	38	22	45	53	0.6	1	4	99	495	0.35
GE45HO-2RS	45	68	40	25	52	60	0.6	1	4	127	637	0.49
GE50HO-2RS	50	75	43	28	57	66	0.6	1	4	156	780	0.6
GE60HO-2RS	60	90	54	36	68	80	0.6	1	3	245	1220	1.15
GE70HO-2RS	70	105	65	40	78	92	0.6	1	4	313	1560	1.65
GE80HO-2RS	80	120	74	45	90	105	0.6	1	4	400	2000	2.5